

SPECIFICATIONS

Insulation Resistance:	100MΩ min.
Current Rating:	0.3A min.
Voltage Rating:	40V AC
Withstanding Voltage:	250V AC
Contact Resistance:	20mΩ max.
Operating Temp. Range:	-20°C to +85°C
Solder Temperature:	220°C / 60 sec., 260°C peak

PART NUMBER

PK5019 - 5000-OVE



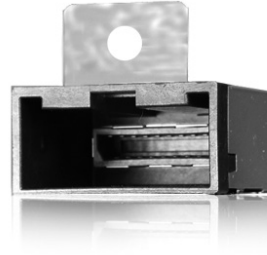
MATERIALS AND FINISH

Housing:	Heat Resistant Plastic
Contacts:	Copper Alloy
Shell:	Copper Alloy

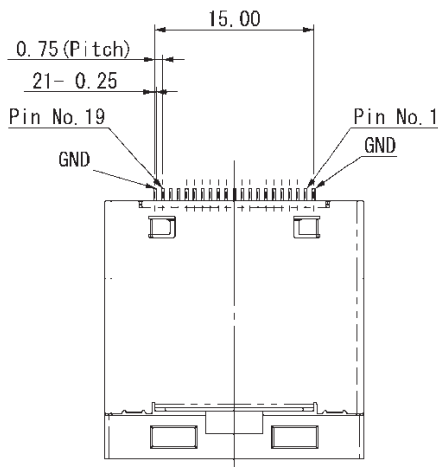
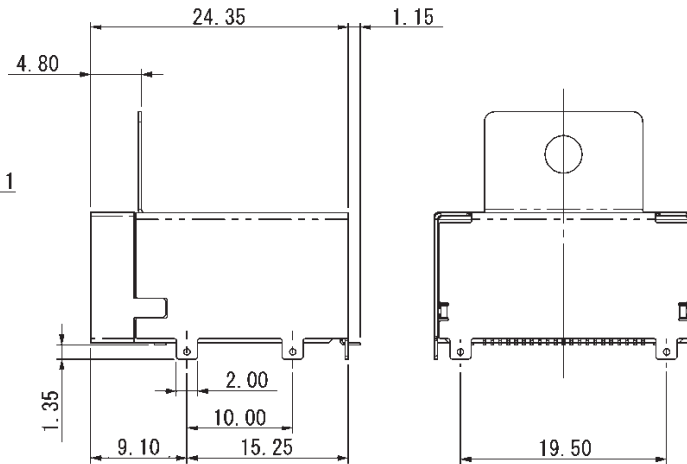
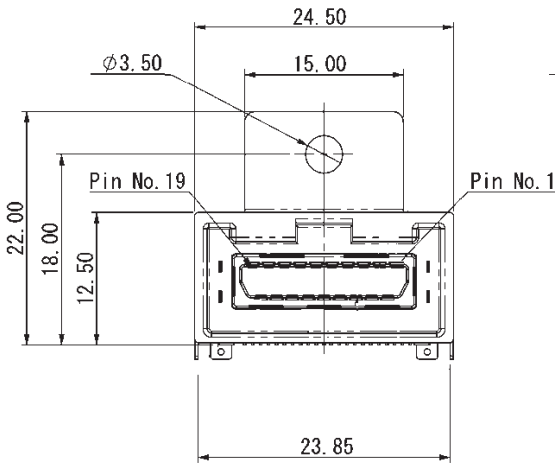
FEATURES

- According to 1.4b Specification
- Automotive type
- One contact row for easy soldering
- Four TH-Pins for robust fixation on the PCB
- RoHS2011/65/EU

AUTOMOTIVE COMPLIANT



OUTLINE DIMENSIONS



RECOMMENDED PCB LAYOUT

